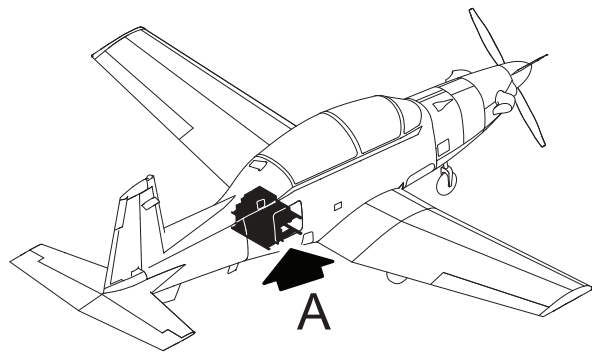
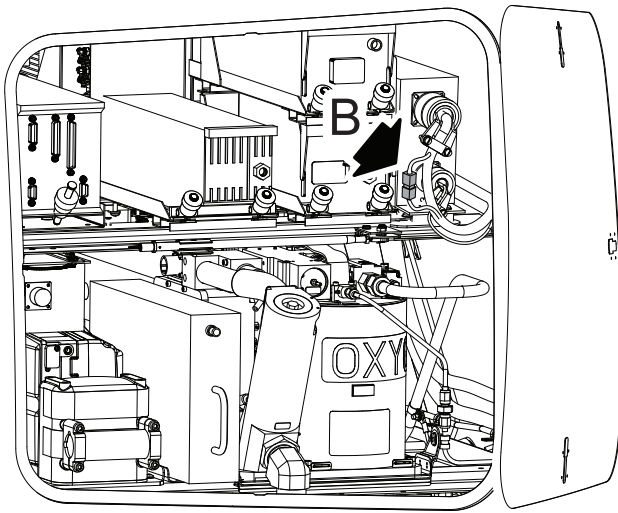


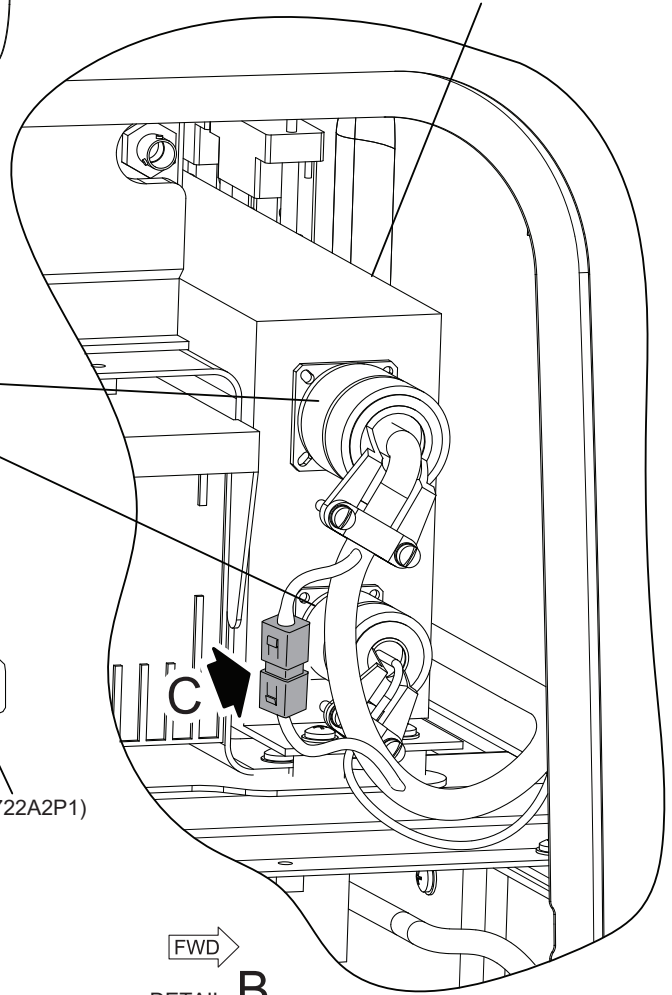
GDL 50R
DETAIL C





FWD
DETAIL **A**

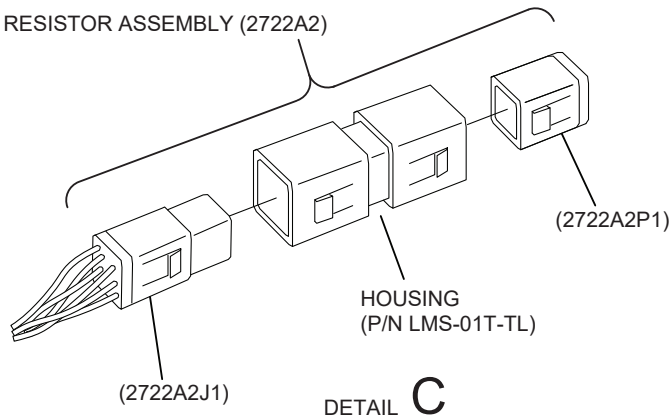
TRIM AID COMPUTER



CONNECTOR (2722A1P2)

CONNECTOR (2722A1P1)

RESISTOR ASSEMBLY (2722A2)



DETAIL **C**

FWD
DETAIL **B**